

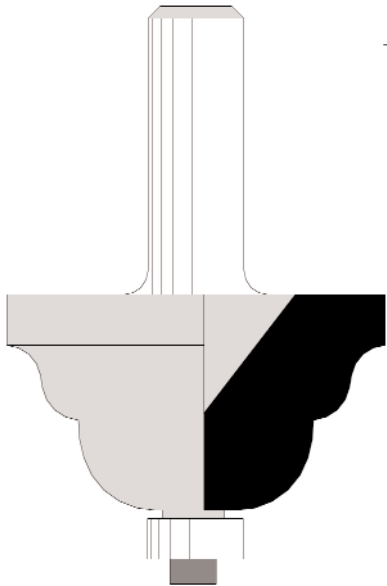
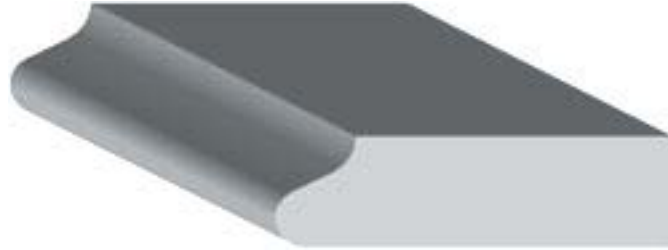
Walton

 **VELEPEC** \$148.50

Product ID: VEL-60-124

Diameter: 1-3/4"

Cutting length: 1-1/4"



Bentley

 **VELEPEC** \$180.00

Product ID: VEL-60-125

Diameter: 2"

Cutting length: 1-1/8"

Bearing guide: VEL-12-145

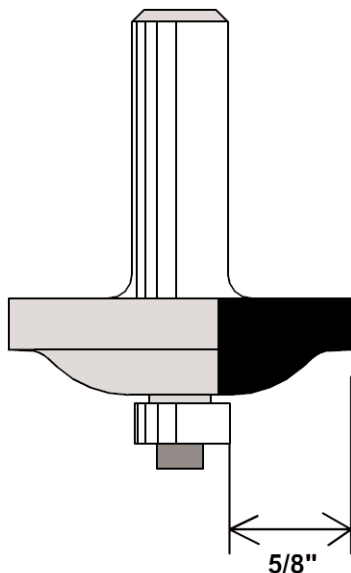
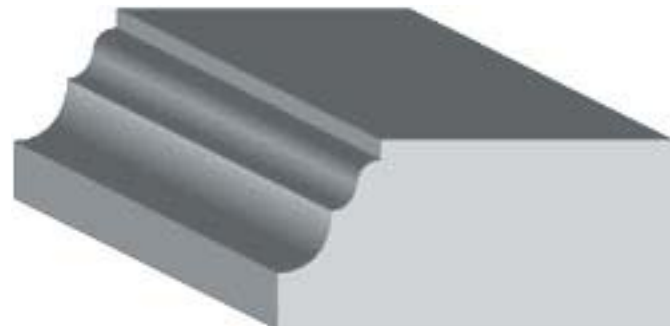
 **Amana Tool** \$60.94

Product ID: AMA-57244

Diameter: 2-5/8"

Cutting length: 1"

Bearing guide: AMA-47707



Hamburg

 **VELEPEC** \$126.00

Product ID: VEL-60-126

Diameter: 1-3/4"

Cutting length: 1/2"

Bearing guide: VEL-12-145

