

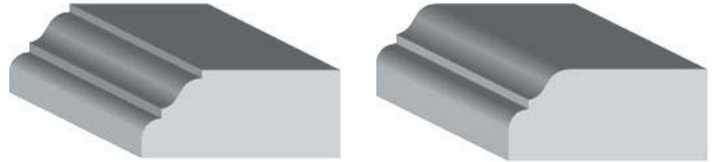


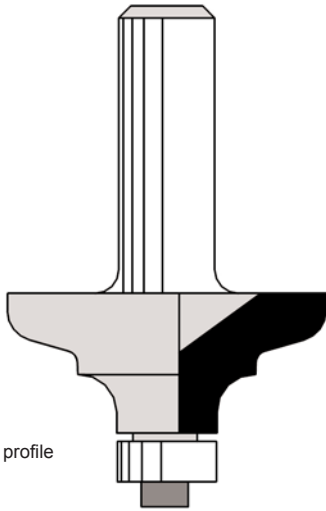
Butler

 **VELEPEC** \$180.00
 Product ID: VEL-60-117
 Diameter: 2-1/2"
 Cutting length: 1-3/16"
 Bearing guide: VEL-12-145


 **Amana Tool** \$117.71
 Product ID: AMA-57218
 Diameter: 2-5/8"
 Cutting length: 1"
 Bearing guide: AMA-47709

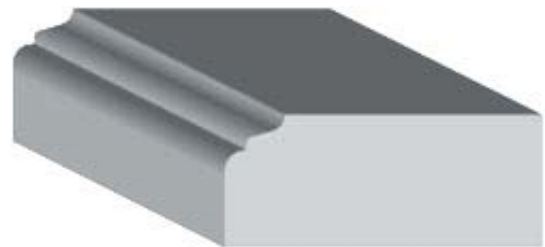


actual size profile

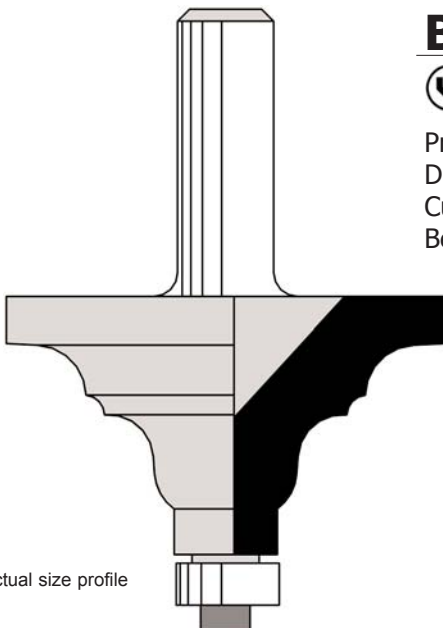


Hamlet


 **VELEPEC** \$130.50
 Product ID: VEL-60-118
 Diameter: 1-11/16"
 Cutting length: 3/4"
 Bearing guide: VEL-12-145




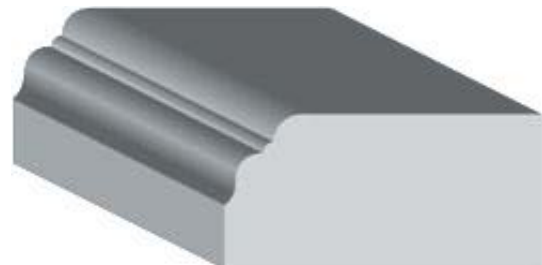
actual size profile



Bradley

 **VELEPEC** \$180.00
 Product ID: VEL-60-119
 Diameter: 2-1/4"
 Cutting length: 1-3/8"
 Bearing guide: VEL-12-145

 **Amana Tool** \$133.69
 Product ID: AMA-57242
 Diameter: 2-5/8"
 Cutting length: 1"
 Bearing guide: AMA-47707



actual size profile