

actual size profile

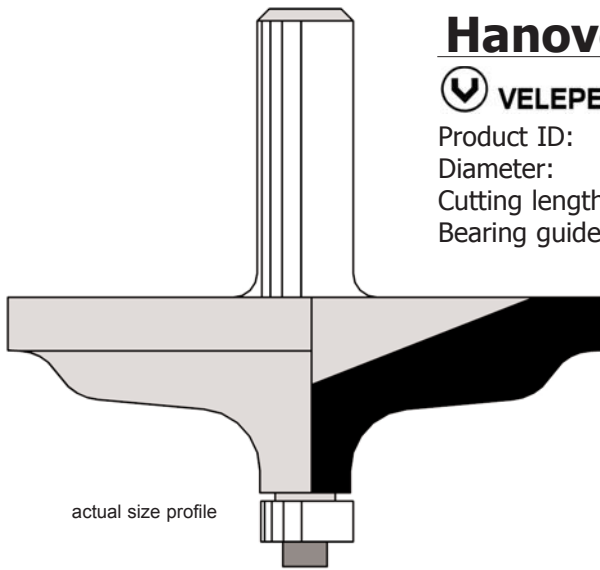
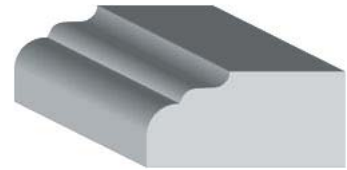
Hamilton

 **VELEPEC** \$220.50

Product ID: VEL-60-114
 Diameter: 3"
 Cutting length: 1-1/8"
 Bearing guide: VEL-12-145

 **Amana Tool** \$141.45

Product ID: AMA-57252
 Diameter: 2-5/8"
 Cutting length: 1"
 Bearing guide: AMA-47707



actual size profile

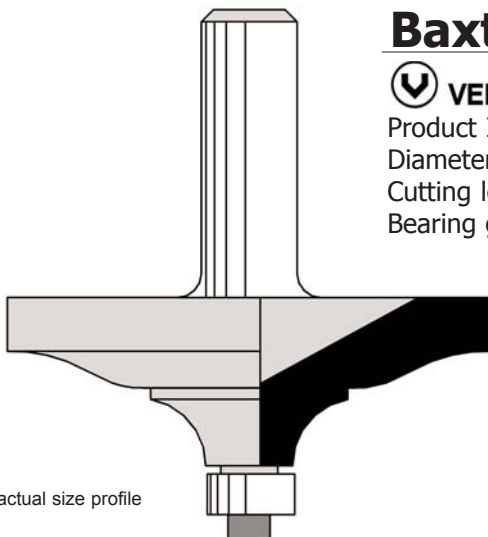
Hanover

 **VELEPEC** \$220.50

Product ID: VEL-60-115
 Diameter: 3-1/8"
 Cutting length: 1"
 Bearing guide: VEL-12-145

 **Amana Tool** \$141.45

Product ID: AMA-57256
 Diameter: 2-5/8"
 Cutting length: 1"
 Bearing guide: AMA-47707



actual size profile

Baxter

 **VELEPEC** \$189.00

Product ID: VEL-60-116
 Diameter: 2-1/2"
 Cutting length: 7/8"
 Bearing guide: VEL-12-145

 **Amana Tool** \$135.45

Product ID: AMA-57254
 Diameter: 2-5/8"
 Cutting length: 1"
 Bearing guide: AMA-47707

