

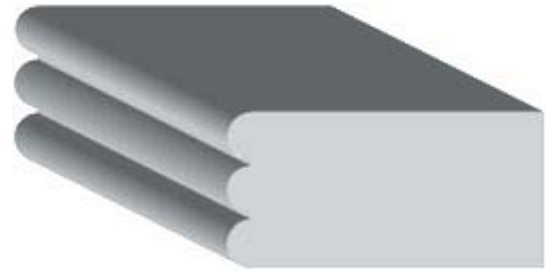
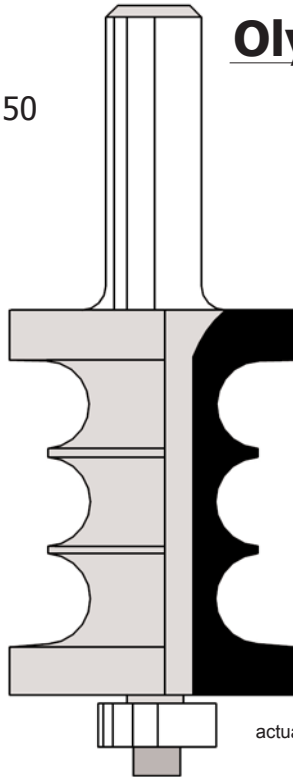


Olympia


 **VELEPEC** \$175.50
Product ID: VEL-60-110
Diameter: 1-1/2"
Cutting length: 2"
Bearing guide: VEL-12-160


 **Amana Tool** \$117.71
Product ID: AMA-57202
Diameter: 2-5/8"
Cutting length: 1"
Bearing guide: AMA-47709

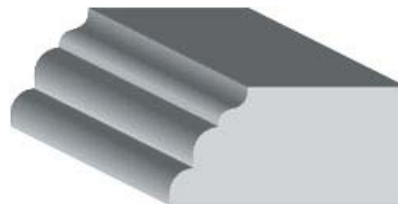
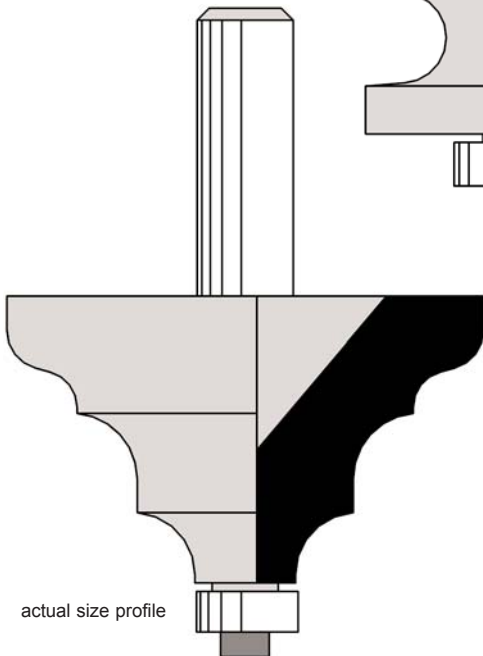


actual size profile

Hunter


 **VELEPEC** \$171.00
Product ID: VEL-60-111
Diameter: 2-1/2"
Cutting length: 1-1/2"
Bearing guide: VEL-12-145


 **Amana Tool** \$110.25
Product ID: AMA-57204
Diameter: 2-5/8"
Cutting length: 1"
Bearing guide: AMA-47709

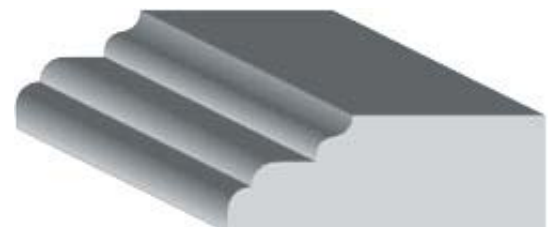
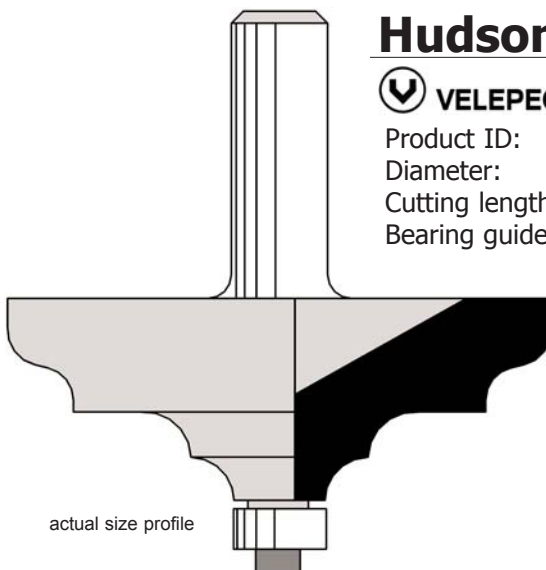


actual size profile

Hudson

 **VELEPEC** \$220.50
Product ID: VEL-60-112
Diameter: 3"
Cutting length: 1-1/8"
Bearing guide: VEL-12-145

 **Amana Tool** \$130.91
Product ID: AMA-57206
Diameter: 2-5/8"
Cutting length: 1"
Bearing guide: AMA-47709



actual size profile