

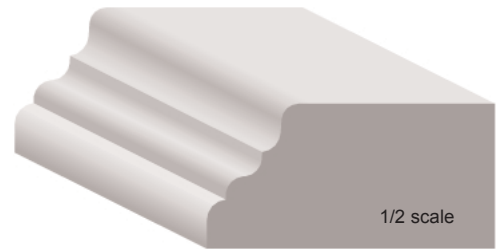
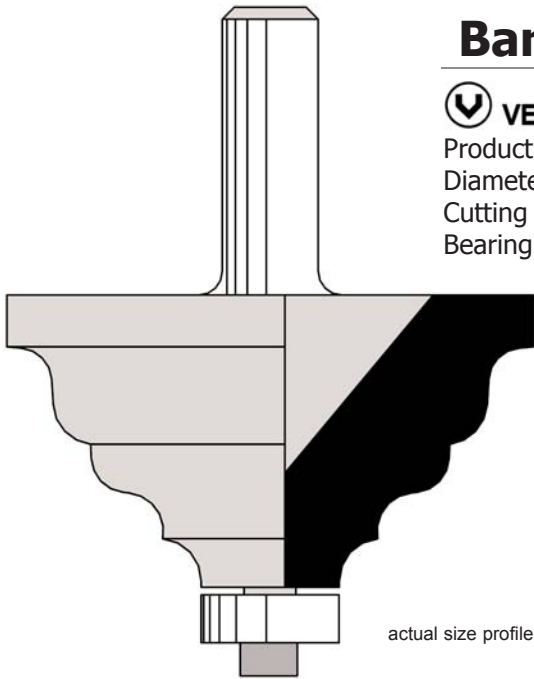
## Barker

 **VELEPEC** \$189.00

Product ID: VEL-60-107  
 Diameter: 2-3/4"  
 Cutting length: 1-1/2"  
 Bearing guide: VEL-12-340

 **Amana Tool** \$110.25

Product ID: AMA-57212  
 Diameter: 2-5/8"  
 Cutting length: 1"  
 Bearing guide: AMA-47709



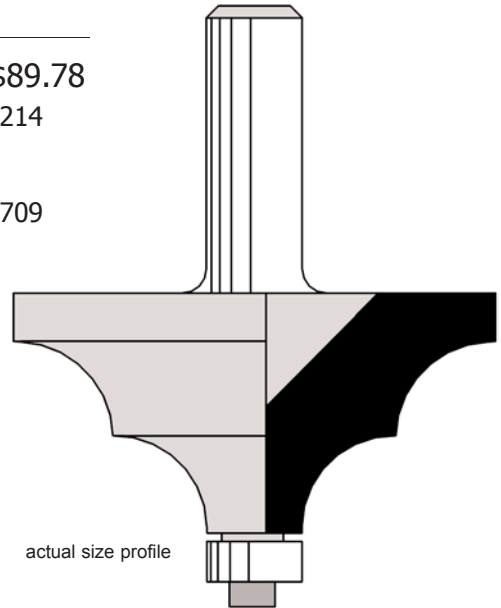
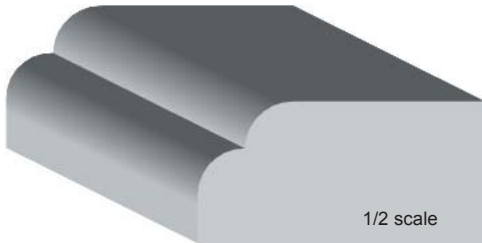
## Hampton

 **VELEPEC** \$135.00

Product ID: VEL-60-108  
 Diameter: 2-1/2"  
 Cutting length: 1-1/4"  
 Bearing guide: VEL-12-145

 **Amana Tool** \$89.78

Product ID: AMA-57214  
 Diameter: 2-5/8"  
 Cutting length: 1"  
 Bearing guide: AMA-47709



## Hillcrest

 **VELEPEC** \$171.00

Product ID: VEL-60-109  
 Diameter: 2-3/4"  
 Cutting length: 1-5/8"  
 Bearing guide: VEL-12-340

 **Amana Tool** \$137.81

Product ID: AMA-57200  
 Diameter: 2-5/8"  
 Cutting length: 1"  
 Bearing guide: AMA-47709

