

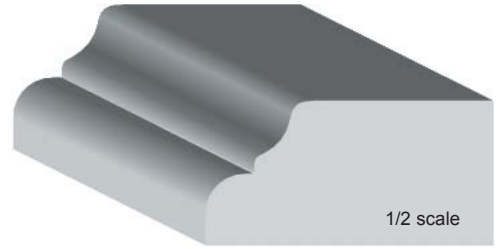


actual size profile

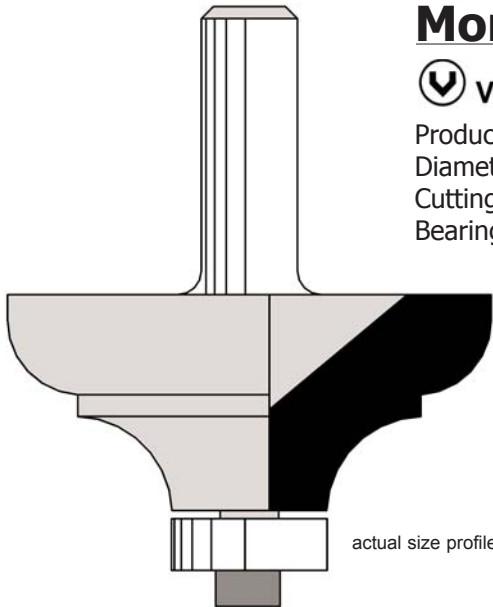
## Bayside

 **VELEPEC** \$220.50  
 Product ID: VEL-60-104  
 Diameter: 3"  
 Cutting length: 1-3/8"  
 Bearing guide: VEL-12-340

 **Amana Tool** \$137.81  
 part number: AMA-57210  
 Diameter: 3"  
 Cutting length: 1-1/8"  
 Bearing guide: AMA\_47709





1/2 scale

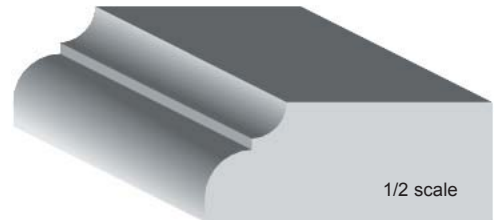


actual size profile

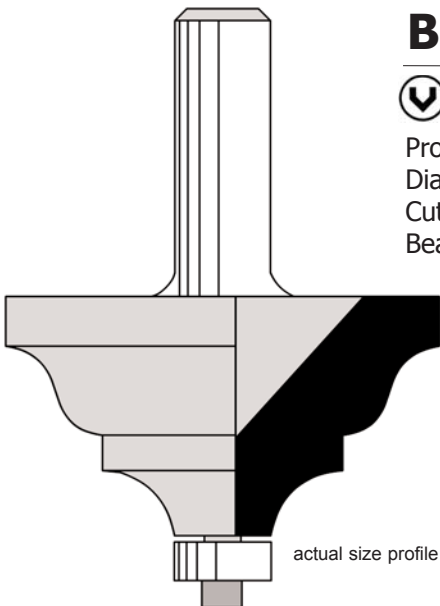
## Montauk

 **VELEPEC** \$171.00  
 Product ID: VEL-60-105  
 Diameter: 2-1/2"  
 Cutting length: 1-1/8"  
 Bearing guide: VEL-12-340

 **Amana Tool** \$89.78  
 part number: AMA- 57216  
 Diameter: 3"  
 Cutting length: 1-1/8"  
 Bearing guide: AMA-47709




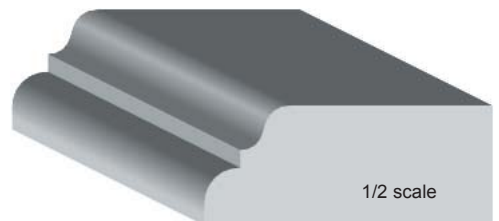
1/2 scale



actual size profile

## Belmont

 **VELEPEC** \$171.00  
 Product ID: VEL-60-106  
 Diameter: 2-1/4"  
 Cutting length: 1-1/4"  
 Bearing guide: VEL-12-145



1/2 scale